



**Kitchen
Cabinet
Distributors**

BATH VANITIES

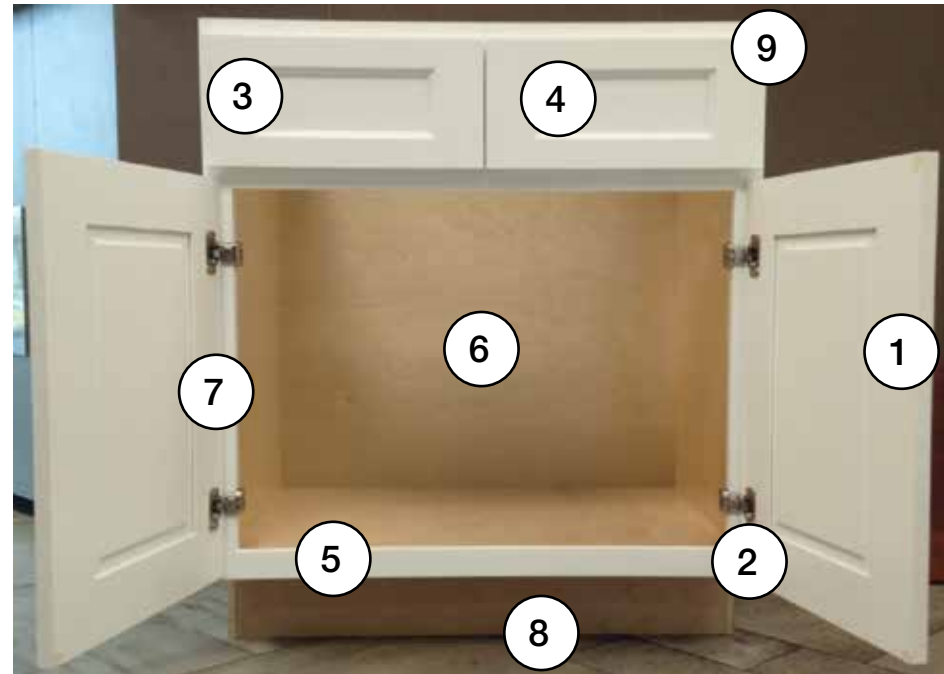


mosaic 
Products. Design. Solutions.

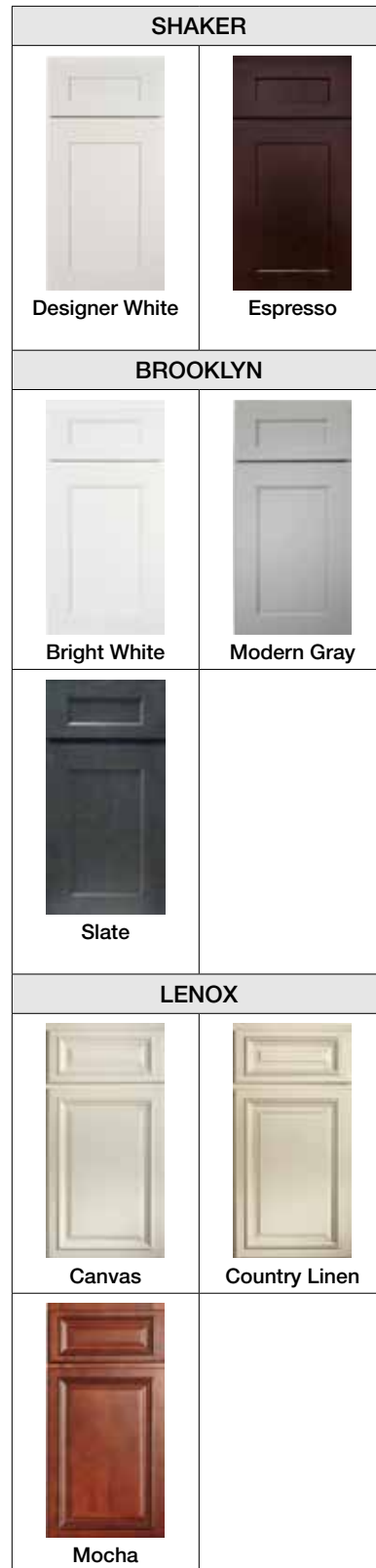
The Premier Series

With the highest quality materials and finest attention to detail, our wide selection of Premier Series doors offers distinctive touches and superb craftsmanship.

- Full overlay doors
- Soft close hinges & slides
- 5/8" solid wood dovetail drawers
- High grade finish



- 1 Solid wood door frames – either doweled and glued or mortise and tenon, depending on the door
- 2 6-way adjustable concealed hinge
- 3 5/8" solid birch dovetail drawer with under mount soft close sides
- 4 Inside drawer height is 2-1/2"
- 5 3/4" x 1-1/2" solid wood face frame
- 6 Back panel is 5 piece picture frame 3/4" thick
- 7 1/2" select birch veneered plywood side panels dovetailed into face frame
- 8 3/4" x 4-1/2" solid wood toe kick finished to match
- 9 Wood corner blocks added for additional support



The Value Series

The Value Series is our most budget-friendly line. Featuring full overlay doors and soft close 6-way adjustable door hinges, the Value Series offers a clean style and standard features at a great price.

- Full overlay doors
- Soft close 6-way adjustable door hinges
- Particle board cabinet box with plywood back
- High grade finish

Series Comparison: Premier vs. Value

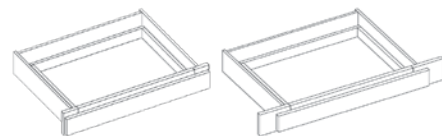
	Premier Series (Shaker, Brooklyn, Lenox)	Value Series (Taylor)
Cabinet Box	1/2", 7 Ply, Plywood	1/2" Particle Board with Plywood Back
Drawer Box	5/8" Solid Wood, Dovetailed	1/2" Plywood, Straight
Drawer Slides	Under Mount, Full Extension, Metal, Soft Close with Ball Bearings	Side Mount, 3/4 Extension, Epoxy-Vinyl Slides with Nylon Rollers
Wood Species	Birch	Birch
Door Hinge	6 Way Adjustable, Soft Close	6 Way Adjustable, Soft Close
Shelves	Adjustable, 3/4" Plywood	Adjustable, 5/8" Plywood
Base Corner Reinforcement	3" Plywood Blocks or Stretchers	3/4" Plastic Corner Braces with Tabs
Face Frame	1-1/2" Rails and Stiles, Solid Wood	1-1/2" Rails and Stiles, Solid Wood
Full Overlay Door	Shaker: 5 Piece with Solid Center Panel; 2-3/4" or 3-1/2" Stiles and Rails Brooklyn: 5 Piece with Solid Center Panel; 3" Stiles and Rails Lenox: 9 Piece Raised Panel with Applied Molding	5 Piece Recessed Panel; 3" Stiles and Rails
Drawer Head	Shaker: 5 Piece with Solid Center Panel; 2-3/4" Stiles and 1-7/8" Rails Brooklyn: 5 Piece with Solid Center Panel; 3" Stiles and 2" Rails Lenox: 9 Piece Raised Panel with Applied Molding	Slab; 3" Stiles and Rails
Approvals	CARB, E-1	CARB, E-1
Assembly	Glue and Staples, No Cams or Brackets	Glue and Staples, No Cams or Brackets
Toe Kick Depth	3.75"	3.75"
Interior Finish	Natural	Matching Color Veneer
Finish panels are not necessary. All cabinets are constructed with finished exteriors to match the doors.		

How To Create Your Custom Vanity

1. Choose your series: Premier or Value
2. Choose your door style and color, note your two-letter color code.

PREMIER								VALUE		
SHAKER		BROOKLYN			LENOX			TAYLOR		
SW	SE	BW	BG	BS	LM	LV	LL	TW	TR	TE
Designer White	Espresso	Bright White	Modern Gray	Slate	Mocha	Canvas	Country Linen	White	Creme	Espresso

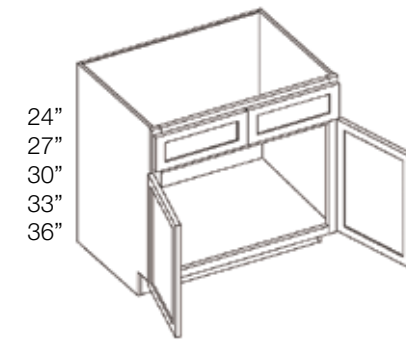
3. Choose your products from the options on the following pages.
 - Each item priced as shown.
 - Shaker Designer White (SW) cabinet boxes require “-5PC” at the end of each sku.
 - Base Cabinets are 21” deep and 34.5” high standard. Custom depths are available with an upcharge.
 - Pantry Cabinets are 24” deep standard. Custom depths are available with an upcharge.
 - Wall Towers are 15” deep.
 - Touch-up kits are available.



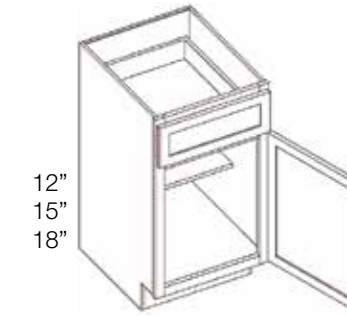
Vanity Drawers

VANITY DRAWERS	SW	SE	BW	BG	BS	LM	LV	LL	TW	TR	TE
KC __ -KD24 23.5” W x 4.75” H	\$213.85		\$217.18		\$227.15	\$203.88	\$220.50		N/A		
KC __ -KD36 29.5” to 36” W x 4.75” H	\$252.80		\$257.15		\$270.20	\$239.75	\$261.50		\$204.95		\$200.6

Standard depth is 21”. Upcharge for custom depth – Please see Sales Associate for pricing.



Double Door Vanity



Single Door Vanity



Vanity Drawer Base

DOUBLE DOOR VANITY	SW	SE	BW	BG	BS	LM	LV	LL	TW	TR	TE
KC __ -V24-2 24” W x 34.5” H	\$310.75	\$310.75	\$316.63	\$334.25	\$293.13	\$322.50	\$322.50		\$246.13		\$240.25
KC __ -V27 27” W x 34.5” H		\$347.80	\$354.65	\$375.20	\$327.25		\$361.50		\$272.45		\$265.60
KC __ -V30 30” W x 34.5” H	\$357.30	\$357.30	\$364.40	\$385.70	\$336.00	\$371.50	\$371.50	\$279.20	\$279.20	\$272.10	
KC __ -V33 33” W x 34.5” H		\$383.90	\$391.70	\$415.10	\$360.50		\$399.50		\$298.10		\$290.30
KC __ -V36 36” W x 34.5” H		\$401.95	\$410.23	\$435.05	\$377.13		\$418.50		\$310.93		\$302.65

Standard depth is 21”. Custom depths, as shallow as 12”, are available for an additional \$125.00.

SINGLE DOOR VANITY	SW	SE	BW	BG	BS	LM	LV	LL	TW	TR	TE
KC __ -VB12 12” W x 34.5” H	\$302.20		\$307.85	\$324.80	\$285.25		\$313.50		N/A		
KC __ -VB15 15” W x 34.5” H	\$321.20		\$327.35	\$345.80	\$302.75		\$333.50		\$253.55		\$247.40
KC __ -VB18 18” W x 34.5” H	\$339.25		\$345.88	\$365.75	\$319.38		\$352.50		\$266.38		\$259.75

Standard depth is 21”. Custom depths, as shallow as 18”, are available for an additional \$125.00.

Single Door Vanities have a Left or Right door hinge option. Please add a “-L” or “-R” at the end of the sku to note which ordered.

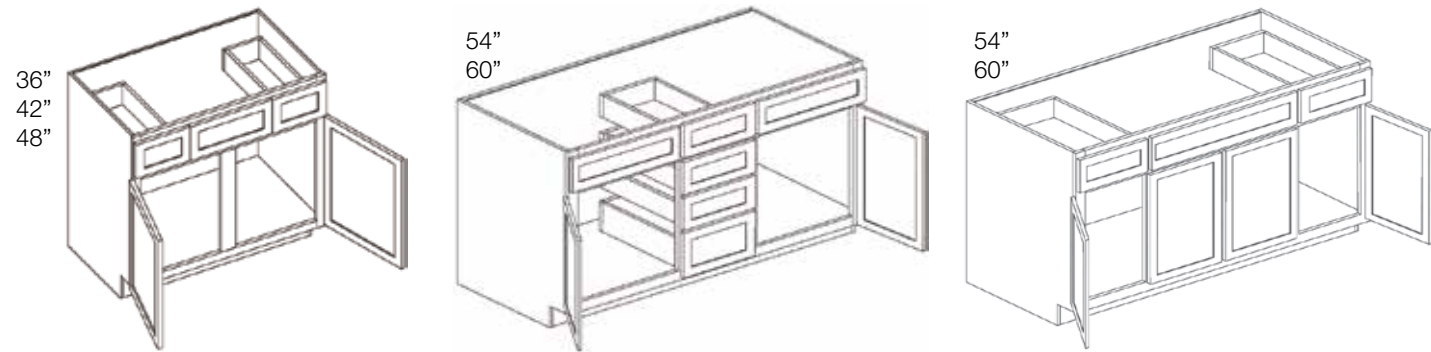
VANITY DRAWER BASE	SW	SE	BW	BG	BS	LM	LV	LL	TW	TR	TE
KC __ -VDB12 12” W x 34.5” H	\$429.50		\$438.50	\$438.50	\$465.50	\$402.50	\$447.50		\$330.50		\$321.50
KC __ -VDB15 15” W x 34.5” H	\$457.05		\$466.78	\$466.78	\$495.95	\$427.88	\$476.50		\$350.08		\$340.35
KC __ -VDB18 18” W x 34.5” H	\$485.55		\$496.03	\$496.03	\$527.45	\$454.13	\$506.50		\$370.33		\$359.85
KC __ -VDB21 21” W x 34.5” H	N/A		N/A	N/A	N/A		N/A		\$404.08		\$392.35
KC __ -VDB24 24” W x 34.5” H	\$550.15		\$562.33	\$598.85	\$513.63	\$574.50			\$437.83		\$424.85

Standard depth is 21”. Custom depths, as shallow as 18”, are available for an additional \$550.00.



Special Order Items: Lead time is approximately 2.5 weeks.

Special Order Items: Lead time is approximately 2.5 weeks.



Vanity Sink Base

Double Vanity Sink Base

Not available in Premier series

Extended Sink Base

Not available in Premier series

VANITY SINK BASE	SW	SE	BW	BG	BS	LM	LV	LL	TW	TR	TE
KC __ -VSB36 36" W x 34.5" H	\$521.65	\$521.65	\$533.08	\$567.35	\$487.38	\$544.50	\$544.50		\$395.98		\$384.55
KC __ -VSB42 42" W x 34.5" H	\$568.20		\$580.85	\$618.80	\$530.25	\$593.50			\$429.05		\$416.40
KC __ -VSB48 48" W x 34.5" H	\$624.25		\$638.38	\$680.75	\$581.88	\$652.50			\$468.88		\$454.75

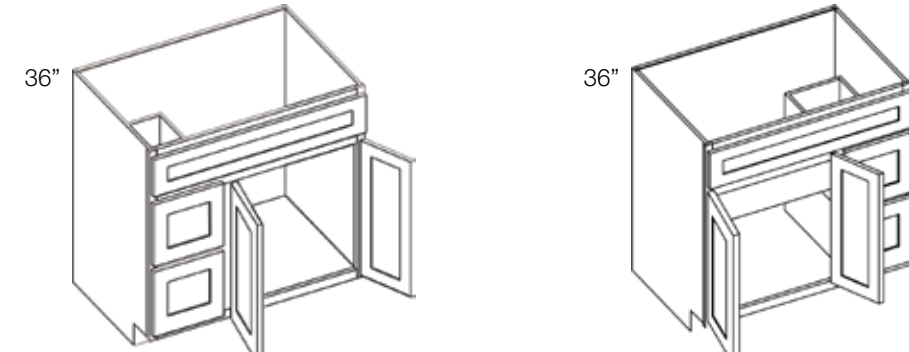
Standard depth is 21". Custom depths, as shallow as 18", are available for an additional \$450.00.

DOUBLE BASE	SW	SE	BW	BG	BS	LM	LV	LL	TW	TR	TE
KC __ -DVSB54 54" W x 34.5" H	N/A		N/A				N/A		\$633.58		\$613.35
KC __ -DVSB60 60" W x 34.5" H	N/A		N/A				N/A		\$674.08		\$652.35

Standard depth is 21". Custom depths, as shallow as 18", are available for an additional \$550.00.

EXTENDED BASE	SW	SE	BW	BG	BS	LM	LV	LL	TW	TR	TE
KC __ -EVSB54 54" W x 34.5" H	N/A		N/A				N/A		\$572.83		\$554.85
KC __ -EVSB60 60" W x 34.5" H	N/A		N/A				N/A		\$599.83		\$580.85

Standard depth is 21". Custom depths, as shallow as 18", are available for an additional \$400.00.



Sink Base w/ Left Drawers

Not available in Value series

Sink Base w/ Right Drawers

Not available in Value series

BASE W/ DRAWERS	SW	SE	BW	BG	BS	LM	LV	LL	TW	TR	TE
KC __ -VSDL36 36" W x 34.5" H (Left Drawers)	\$564.40	\$564.40	\$576.95	\$614.60	\$526.75	\$589.50	\$589.50				N/A
KC __ -VSDR36 36" W x 34.5" H (Right Drawers)	\$564.40	\$564.40	\$576.95	\$614.60	\$526.75	\$589.50	\$589.50				N/A

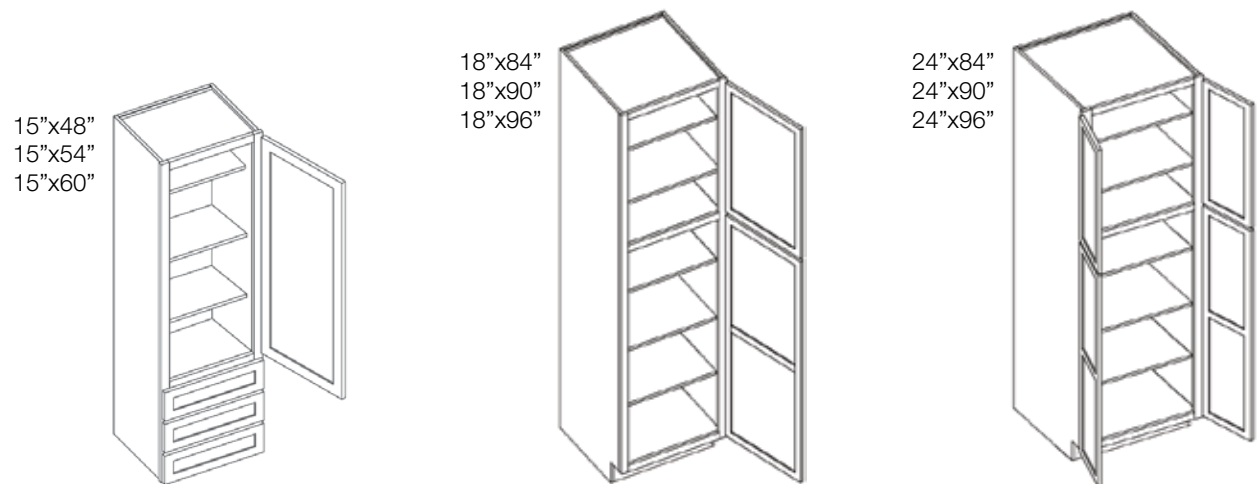
Standard depth is 21". Custom depths, as shallow as 18", are available for an additional \$475.00.



Special Order Items: Lead time is approximately 2.5 weeks.



Special Order Items: Lead time is approximately 2.5 weeks.



Wall Tower w/ 3 Drawers
Not available in Value series

Single Door Pantry

Double Door Pantry
Not available in Value series

WALL TOWER	SW	SE	BW	BG	BS	LM	LV	LL	TW	TR	TE
KC __ -DWR1548 15" W x 48" H	\$519.75	\$479.85	\$531.13	\$565.25	\$485.63	\$542.50				N/A	
KC __ -DWR1554 15" W x 54" H	\$543.50	\$503.60	\$555.50	\$591.60	\$507.50	\$567.50				N/A	
KC __ -DWR1560 15" W x 60" H	\$581.50	\$541.60	\$594.50	\$633.50	\$542.50	\$607.50				N/A	

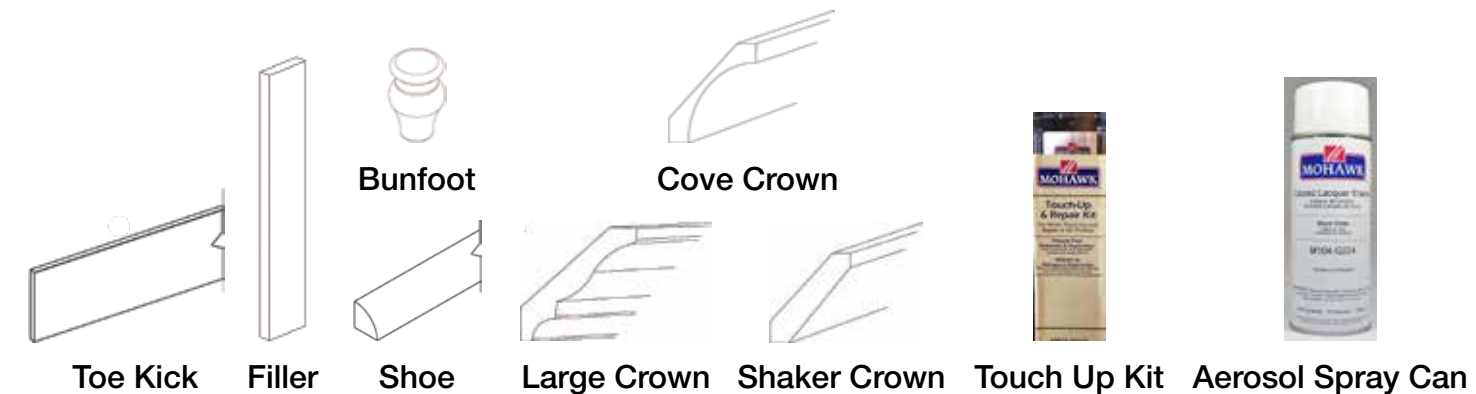
Standard depth is 15". Custom depths not available.
Wall Towers have a Left or Right door hinge option. Please add a "-L" or "-R" at the end of the sku to note which ordered.

SINGLE DOOR PANTRY	SW	SE	BW	BG	BS	LM	LV	LL	TW	TR	TE
KC __ -P1884 18" W x 84" H (Includes 4 sheves)	\$689.80		\$705.65	\$753.20	\$642.25	\$721.50			\$515.45		\$499.60
KC __ -P1890 18" W x 90" H (Includes 4 sheves)	\$737.30		\$754.40	\$805.70	\$686.00	\$771.50			\$549.20		\$532.10
KC __ -P1896 18" W x 96" H (Includes 5 sheves)	\$763.90		\$781.70	\$835.10	\$710.50	\$799.50			\$568.10		\$550.30

Standard depth is 24". Custom depths, as shallow as 12", are available for an additional \$250.00.
Single Door Pantries have a Left or Right door hinge option. Please add a "-L" or "-R" at the end of the sku to note which ordered.

DOUBLE DOOR PANTRY	SW	SE	BW	BG	BS	LM	LV	LL	TW	TR	TE
KC __ -P2484 24" W x 84" H (Includes 4 sheves)	\$833.25		\$852.88	\$911.75	\$774.38	\$872.50				N/A	
KC __ -P2490 24" W x 90" H (Includes 4 sheves)	\$857.95		\$878.23	\$939.05	\$797.13	\$898.50				N/A	
KC __ -P2496 24" W x 96" H (Includes 5 sheves)	\$915.90		\$937.70	\$1,003.10	\$850.50	\$959.50				N/A	

Standard depth is 24". Custom depths, as shallow as 12", are available for an additional \$250.00.



ACCESSORIES	SW	SE	BW	BG	BS	LM	LV	LL	TW	TR	TE
KC __ -TKS8 96" W x 4.5" H x 0.25" D Toe Kick	\$14.25	\$14.25	\$14.63	\$15.75	\$13.13	\$15.00	\$15.00	\$13.50	\$13.50	\$13.00	
KC __ -F396 3" W x 96" H x 0.75" D Filler	\$44.65	\$44.65	\$45.83	\$49.35	\$41.13	\$47.00	\$47.00	\$42.53	\$42.53	\$40.95	
KC __ -F696 6" W x 96" H x 0.75" D Filler	\$89.30		\$91.65	\$98.70	\$82.25	\$94.00		\$85.05		\$81.90	
KC __ -SHOE 96" W x 0.6875" H x 0.6875" D Shoe Molding	\$17.10	\$17.10	\$17.55	\$18.90	\$15.75	\$18.00	\$18.00	\$16.20		\$15.60	
KC __ -TBUNFOOT 3" W x 4.5" H x 3" D Bunfoot	N/A		\$68.25	\$73.50	\$61.25	\$70.00		N/A			
KC __ -COM8 96" W x 3.25" H x 2.75" D Cove Crown Molding	\$118.75		\$121.88	\$131.25	\$109.38	\$125.00		\$84.38		\$81.25	
KC __ -BCM8 96" W x 3.25" H x 2.625" D Large Crown Molding	N/A		\$117.00	\$126.00	\$105.00	\$120.00		N/A			
KC __ -SCM8 96" W x 3.125" H x 2" D Shaker Crown Molding	\$56.05		N/A		N/A	N/A		N/A			

TOUCH UPS	SW	Espresso	BW	BG	BS	LM	LV	LL	TW	TR	TE
KCSPRAYCAN Aerosol Spray Can	\$50.00	N/A	\$50.00	N/A	N/A	\$50.00	\$50.00	\$50.00	\$50.00		N/A
KCTUKIT Touch Up Kit	\$31.25	N/A	\$31.25	N/A	\$31.25	\$31.25	\$31.25	\$31.25	\$31.25		

 For your convenience, products with prices shown in a green box are stocked in our Central Service Center (Available within 1 business day for MD, VA, and Raleigh NC locations. Greensboro NC ships within 48 hours.)

Special Order Items: Lead time is approximately 2.5 weeks.

Special Order Items: Lead time is approximately 2.5 weeks.

Accessorize With Your Choice Of QuickSHIP Hardware



Ascendra 1-1/4" Knob
Polished Chrome
TOTK702PC \$8.12/ea



Ascendra 1-1/4" Knob
Brushed Satin Nickel
TOTK702BSN \$8.12/ea



Brixton Rimmed 1-1/4" Knob
Polished Chrome
TOTK880PC \$7.12/ea



Brixton Rimmed 1-1/4" Knob
Brushed Satin Nickel
TOTK880BSN \$7.12/ea



Ascendra 5-11/16" Pull
Polished Chrome
TOTK704PC \$12.14/ea



Ascendra 5-11/16" Pull
Brushed Satin Nickel
TOTK704BSN \$11.98/ea

Complete Your Bath

We have an assortment of faucets, shower systems, and accessories all available via QuickSHIP. Ask your Sales Associate for more information.



Britani Widespread Faucet
SA4120BL __



Ebis Widespread Faucet
SA3720HY __



Lutti Widespread Faucet
SA4820PT __



Chadwick Widespread Faucet
SA4320GL __



Ebis Single Hole Faucet
SA3780HY __

Add finish # below to end of SKUs:
10 Chrome
75 Satin Nickel



Coordinating Paper Holders, Towel Rings,
Robe Hooks, and Towel Bars available
in both finishes



Coordinating Shower Heads and Tub
Spouts available in both finishes



For your convenience, products with prices shown in a green box are stocked in our Central Service Center (Available within 1 business day for MD, VA, and Raleigh NC locations. Greensboro NC ships within 48 hours.)

Vanity Cabinet Care

Kitchen Cabinet Distributors wants your cabinets to remain beautiful for years to come, so we've put together some basic maintenance tips to help you care for your new cabinets.

Cabinet Care Tips

- Wipe your cabinets with a clean, soft, lint-free cloth.
- Use warm water or a mild dishwashing liquid mixed with warm water.
- Ensure spills and splatters are wiped immediately to avoid staining. Prolonged exposure can create discoloration or damage to the finish.
- Always dry surfaces thoroughly once you are done cleaning.
- Wash and polish your cabinets once or twice a year using a coat of high quality, oil-based furniture polish. An emulsion-type clear polish is recommended. Do not use wax-based products as this causes buildup on the cabinet surface.
- Avoid exposure to high heat sources. To avoid damage, we recommend removing cabinet doors and drawers near self-cleaning ovens during cleaning cycles.
- For glass door fronts, use ammonia-free sprays and spray directly on cleaning cloth to avoid spraying cabinet.

What to Avoid

- Don't use harsh detergents, strong soaps, abrasive cleaning products, scouring powder/pads or other harsh abrasives.
- Don't use spray polishes containing silicone or petroleum solvents.
- Don't use products that contain ammonia.
- Don't use bleach or products containing bleach.
- Don't use a dishcloth or sponge to clean or dry cabinets. They may contain grease or particles that damage the finish.
- Don't mount or place heat-producing appliances beneath cabinets due to excess heat and moisture exposure. If you notice moisture buildup, wipe dry immediately.
- Don't use brass and silver polishes on hardware as they contain harsh chemicals that can damage the cabinet finish.

Vanity Cabinet Warranty & Compliancy

Kitchen Cabinet Distributors warrants that all of its products will be free from defects in workmanship and material for a period of five years from the date of shipment from our facility. This limited warranty applies only to the use of our products in normal residential use. Defects are defined as any imperfection that may prohibit the use of the cabinet in normal residential applications or which otherwise do not measure up to our quality standards. This warranty applies to the original owner and cannot be transferred to subsequent owners. Defects or damage caused by improper assembly or disassembly, intentional damage, misuse, product modifications, exposure to the elements, accident, or negligence on the part of persons other than Kitchen Cabinet Distributors is not covered by this limited warranty.

Kitchen Cabinet Distributors factories are ISO-14001 compliant, KCMA Certified, and CARB compliant E-1 Certified.

These vanities are **CARB2 Compliant**. What does this mean to you? That the California Air Resources Board has ensured these products meet strict environmental standards that have been certified by independent third party companies for low VOCs. This protects you from airborne toxic contaminants such as formaldehyde emissions. This allows Mosaic to proudly offer you products that are safe for your family.



mosaic 
Products. Design. Solutions.

Alexandria, VA | Chantilly, VA | Fairfax, VA | Richmond, VA | Virginia Beach, VA
North Bethesda, MD* | Owings Mills, MD* | Greensboro, NC | Raleigh, NC

www.mosaictileco.com



Noted (*) locations are 100% wind powered! All locations support renewable power sources.

